



Figure 1

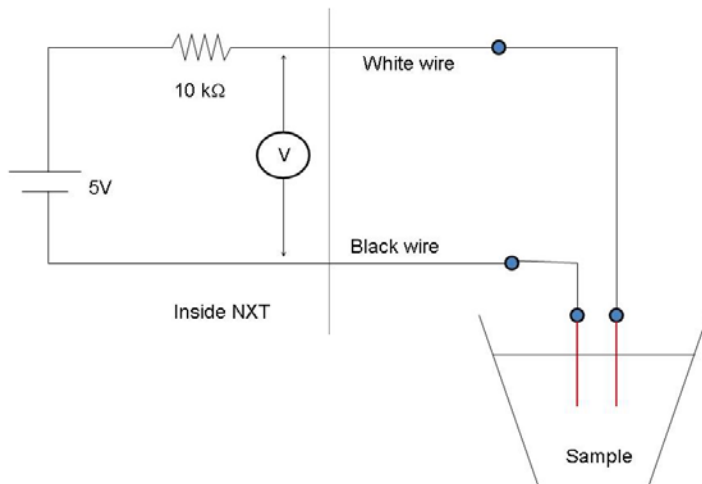
$$\frac{x}{5} = \frac{n}{1023}$$

(Equation 1)

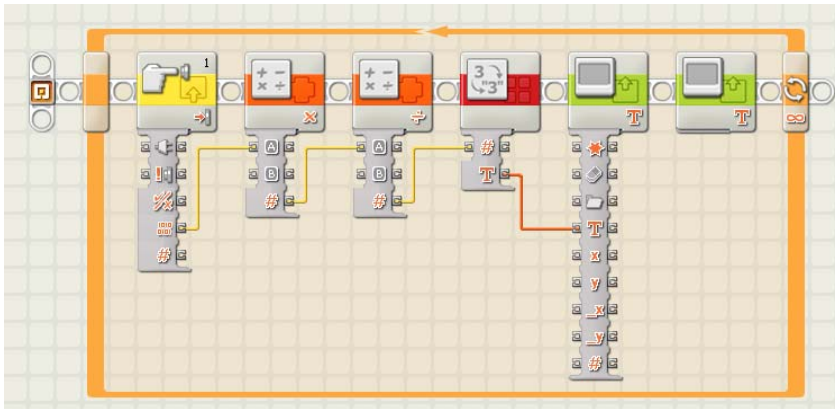
Rearrange the equation:

$$x = 5 * n/1023$$

This is what is coded in the NXT through the steps below.



**Figure 2.** The NXT voltage reading circuit. It measures the voltage between the white and black wires.



**Loop**

Control:

Show:  Counter

**Touch Sensor**

Port:  1  2  3  4

Action:  Pressed  Released  Bumped

Reset

**Math**

Operation:

A:  B:

**Math**

Operation:

A:  B:

**Number to Text**

Number:

**Display**

Action:

Position:

Display:  Clear

Text:

Line: